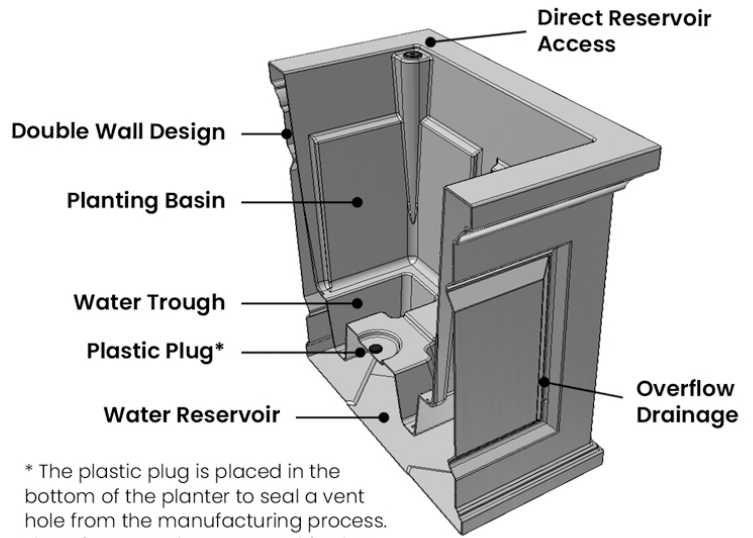


# Nantucket

## designer planter

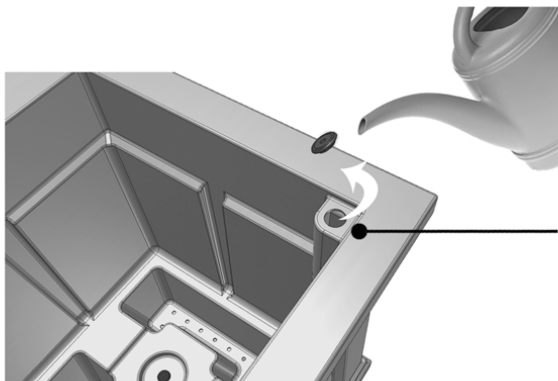


\* The plastic plug is placed in the bottom of the planter to seal a vent hole from the manufacturing process. There is no need to remove this plug.

### GENERAL INFORMATION:

- Built-in water reservoir and overflow drainage hole.
- Avoid using garden soil or topsoil for container planting, it's often too dense and restricts air circulation. A potting mix is strongly recommended and will ensure better plant growth.
- Rinse clean with a garden hose; for a deeper clean, use a power washer.
- **15-year** warranty residential use, **5-year** warranty commercial use.

Polyresin Planter  
 Indoor/Outdoor Use  
 UV Protected  
 Shock Resistant  
 All-Weather Material



Remove fill port plug for direct access to the water reservoir.

**WARNING**

Children can fall into planter and drown.  
 Keep children away from planter with even a small amount of liquid.